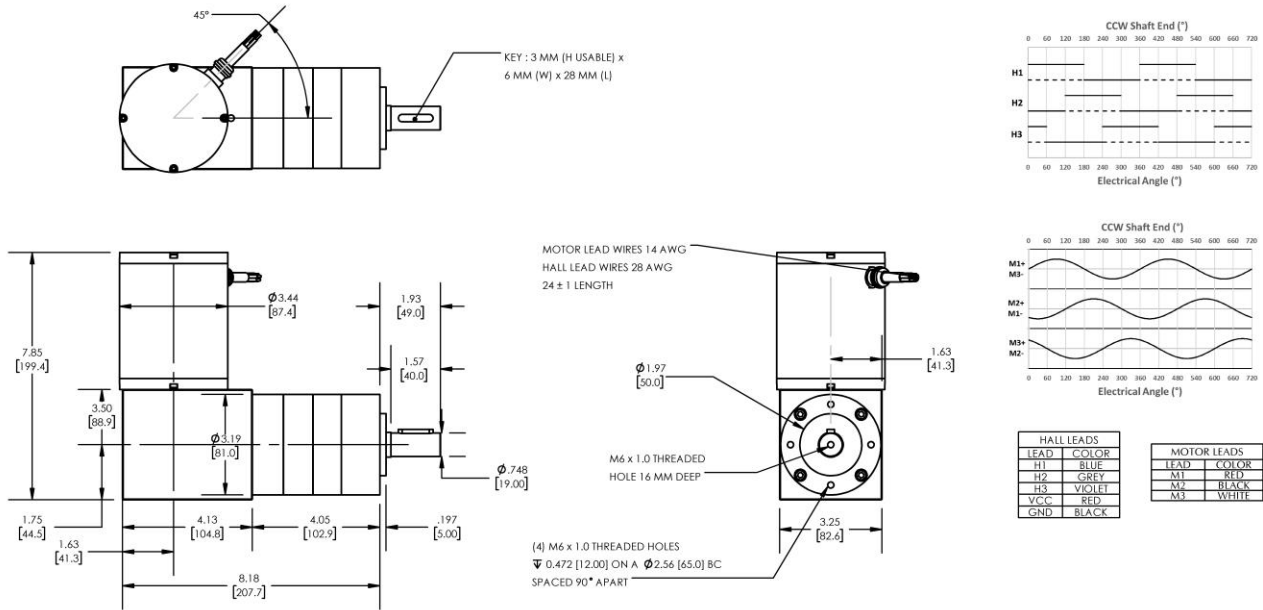




REVERSIBLE BRUSHLESS DC RIGHT-ANGLED GEARMOTOR

Model Number:

MMP BL87-435A-24V GRA81-169



DIMENSIONS ARE INCHES [MM] UNLESS OTHERWISE STATED

PLANETARY GEARMOTOR OUTPUT PARAMETERS:	VALUE	UNITS	TOLERANCE
Gearhead Ratio (exact)	168.84 : 1		
Gearhead Shaft Output Speed (at full-load)	16	RPM	MAX
Gearmotor Rated Continuous Torque	2046	In-Lbs	MAX
Gearmotor Rated Peak Torque	2124++	In-Lbs	----
Gearhead Standard Backlash	36	Arc Minutes	MAX
Gearhead Efficiency	70%	----	----
Output Shaft Radial Load Capacity	225	Lbs	MAX
Output Shaft Axial Load Capacity	45	Lbs	MAX
Gearmotor Total Weight	17	Lbs	MAX

++ All Peak Torque values are dependent upon duty. Contact our sales office for details.

DC MOTOR PERFORMANCE PARAMETERS:	VALUE	UNITS	TOLERANCE
Rated DC Voltage	24	DC VOLTS	----
Rated Continuous Current	33.2	AMPERES	----
No-Load Speed	3692	RPM	MAX
Rated Speed	2672	RPM	+/- 15%
Rated Continuous Power Out	548	WATTS	+/- 15%
Rated Continuous Torque	277	OZ-IN	----
Peak Torque (motor only)	706	OZ-IN	----
No-Load Current	1.74	AMPERES	MAX
Back EMF Constant (Ke)	6.5	V/KRPM	+/- 10%
Torque Constant (Kt)	8.8	OZ-IN/AMP	+/- 10%
DC Armature Resistance	0.20	OHMS	+/- 15%
Armature Inductance	0.17	mH	+/- 15%
Armature temperature	155	DEG. C	MAX

NOTES:

- ENCODER & BRAKE OPTIONS AVAILABLE – [FOLLOW THIS LINK FOR DETAILS](#)
- NEMA MOUNTING FLANGE OPTION AVAILABLE – [FOLLOW THIS LINK FOR DETAILS](#)

MIDWEST MOTION PRODUCTS, INC

DESIGN, MANUFACTURING & DISTRIBUTION - MOTION CONTROL EQUIPMENT

www.midwestmotion.com

email: sales@midwestmotion.com